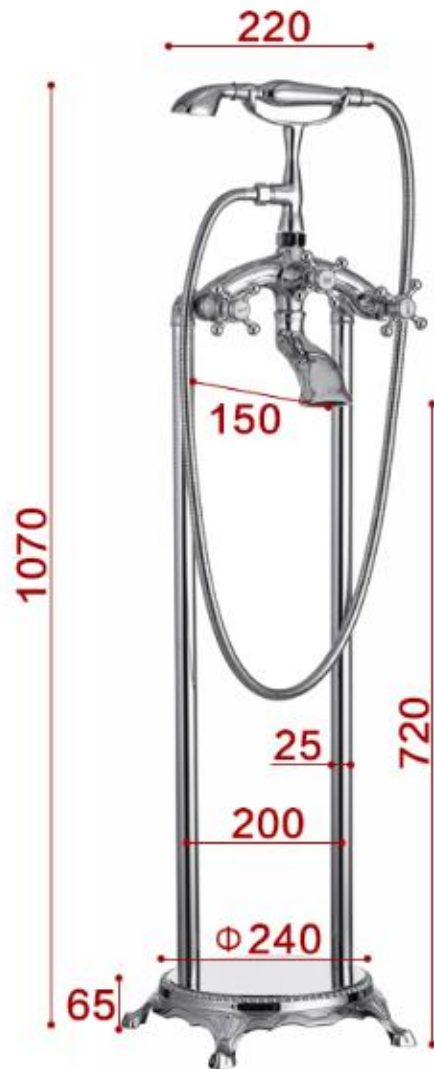
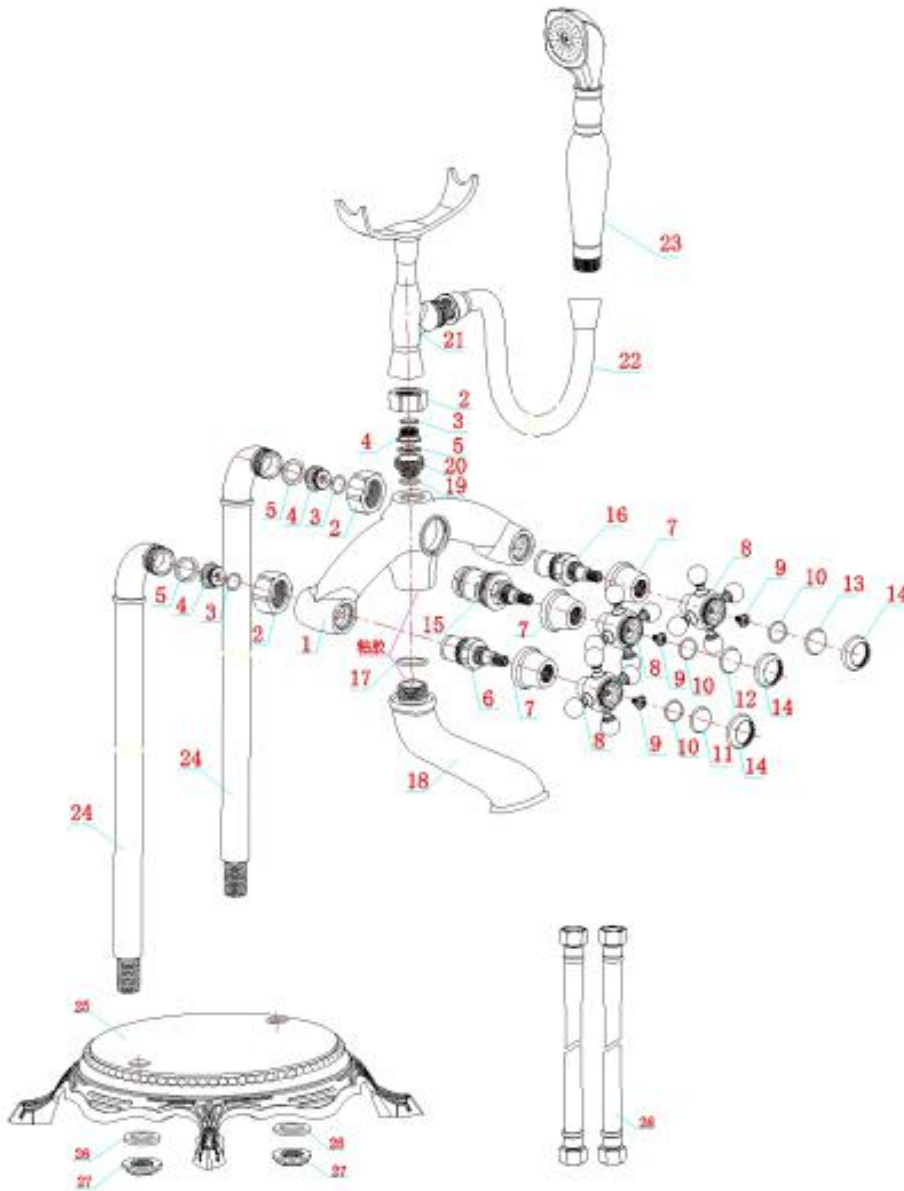


Gemy®



- 1.All impurities in the pipeline should be thoroughly removed.
- 2.A metal hose should maintain the natural stretch, need not be coiled on the tap. At the same time, when using or not use, pay attention to hose and valve joints do not form a dead corner, so as not to break or damage hose
- 3.Pay attention to cleaning frequently
- 4.Don't use too much force on the switch

Free Standing Bathtub Faucet G8245
(Gold/Silver/Cooper color available)



NO.	Item NO.	Item name	Size	QTY
27	LMT0003	Nut	G1/2 6 angle nut	2
26	PUP0007	Shim	38X 22X2	2
25	DZT0004	base		1
24	JSZ0001	Inflow pipe	Copper porcelain core/G1/1	1
23	HS00001	Hand shower		1
22	HSG0001	shower pipe	1.5 M/2-G1/2	1
21	HST0001	shower base		1
20	TJT0001	Joint		1
19	OQ00011	O ring	16*2	1
18	ZT00008	Spout		1
17	OQ00010	O ring	24*2.5	1
16	FX00007	Spool	Copper porcelain core/G1/1	1
15	FX00006	Spool	Copper porcelain core/G1/1	1
14	ZSM0002	Decorative cover		3
13	TCP0003	Ceramic plate	HOT mark	1
12	TCP0002	Ceramic plate	blank mark	1
11	TCP0001	Ceramic plate	COLD mark	1
10	OQ00009	O ring	20*1.5	3
9	LSX0003	Screw	M4*12	3
8	BSB0002	Cross handwheel		3
7	ZSB0003	Decorative cup		3
6	FX00005	Spool	Copper porcelain core/G1/1	1
5	PDP0005	Shim	24*3	3
4	XJT0001	Water level	23.5*12	3
3	OQ00008	O ring	18*12	3
2	LMT0004	Water level screw	29*14/G3/4	3
1	ZT00007	Frame		1

Note 2.: Install handwheel, turn inward mean ON, and turn outward mean OFF